



PoE Powered
10/100BASE-TX to 100BASE-FX
Media Converters

KC-350 series

Installation Guide



DOC.171215A

(C) 2017 KTI Networks Inc. All rights reserved. No part of this documentation may be reproduced in any form or by any means or used to make any derivative work (such as translation or transformation) without permission from KTI Networks Inc.

KTI Networks Inc. reserves the right to revise this documentation and to make changes in content from time to time without obligation on the part of KTI Networks Inc. to provide notification of such revision or change.

For more information, contact:

United States KTI Networks Inc.
P.O. BOX 631008
Houston, Texas 77263-1008

Phone: 713-2663891
Fax: 713-2663893
E-mail: kti@ktinet.com
URL: <http://www.ktinet.com/>

International Fax: 886-2-26983873
E-mail: kti@ktinet.com.tw
URL: <http://www.ktinet.com.tw/>

The information contained in this document is subject to change without prior notice. Copyright (C)
All Rights Reserved.

TRADEMARKS

Ethernet is a registered trademark of Xerox Corp.

FCC NOTICE

This device complies with Class B Part 15 the FCC Rules. Operation is subject to the following two conditions: (1) This device may not cause harmful interference, and (2) this device must accept any interference received including the interference that may cause.

CE NOTICE

Marking by the symbol indicates compliance of this equipment to the EMC directive of the European Community. Such marking is indicative that this equipment meets or exceeds the following technical standards:

EMC Class B

EN 61000-6-3

EN55022

EN61000-3-2

EN61000-3-3

EN 55024

IEC 61000-4-2

IEC 61000-4-3

IEC 61000-4-4

IEC 61000-4-5

IEC 61000-4-6

IEC 61000-4-11

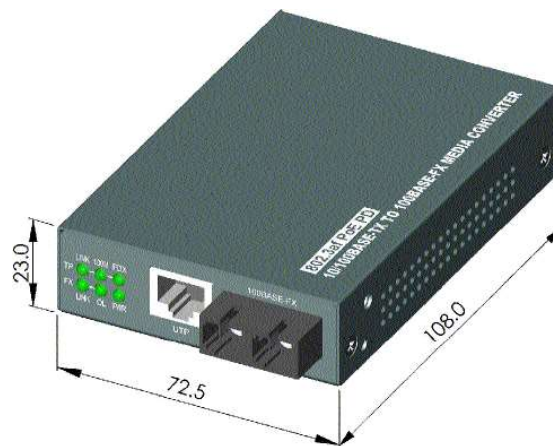
Table of Contents

1. Introduction	5
1.1 Key Features.....	5
1.2 Specifications.....	6
1.3 Optical Specifications.....	10
1.4 Special Functions.....	11
1.4.1 Auto MDI/MDI-X Function	11
1.4.2 Auto-negotiation Function	11
1.4.3 Far End Fault Function.....	11
1.4.4 Link Fault Pass Through Function.....	12
2. Installation	13
2.1 Unpacking.....	13
2.2 Safety Cautions.....	13
2.3 Mounting the Device	14
2.4 Powered by PoE over Cat.5	15
2.5 Powered by External Power Adapter.....	16
2.6 Making TP Port Connection	17
2.7 Making FX Port Connection	18
2.8 LED Indicators	20
3. Optional Configuration Settings	21
3.1 User Inaccessible Jumpers	21
3.1.1 Forwarding Mode Setting JP1	22
3.1.2 802.3x Function Setting JP2	23
3.1.3 FX Duplex Setting JP3	23
3.2 JP1-JP3 Factory Default Settings.....	23

1. Introduction

The 10/100BASE-TX to 100BASE-FX media converter series provides a media conversion allowing high-speed integration of fiber optic and twisted-pair segments. With 10BASE-T and 100BASE-TX support, the converters provide seamless translation between Ethernet and Fast Ethernet networks.

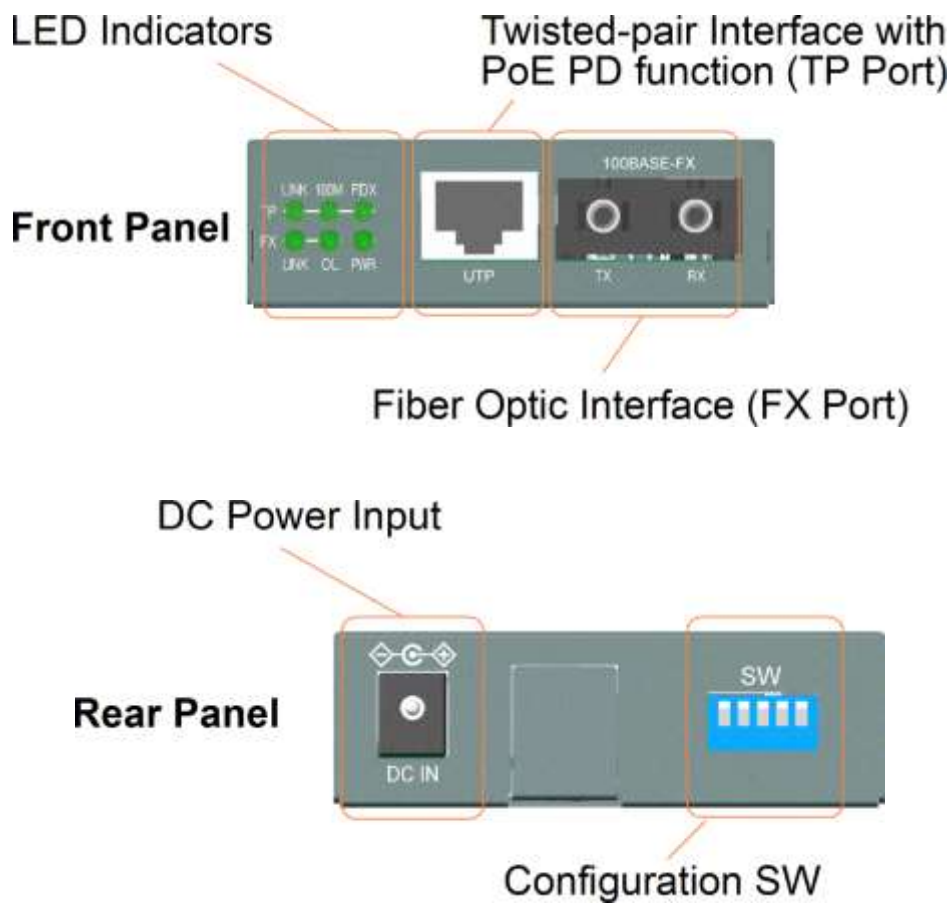
Because of 802.3af compliance, the converters can draw the power via Cat.5 cable connected to a PoE PSE switch or mid-span injector in addition to being powered by typical external power adapter. This feature makes the converter ideal for remote areas of a network without AC power outlets.



1.1 Key Features

- Convert speed and media type with full wire speed conversion
- Support 10Mbps and 100Mbps speed on TP connections
- Auto-negotiation and auto MDI/MDI-X detection function
- Link fault pass through function
- Provide manual configuration settings for TP port to support connection to non-auto-negotiation devices
- Transparent to 802.1Q VLAN tagged packets
- Far End Fault function on FX port
- Support wide range of fiber options on the FX port
- Provide user-inaccessible settings for specific system applications
- Low power consumption
- IEEE 802.3af compliant PoE PD (Powered Device) design

1.2 Specifications



Twisted-Pair Interface (TP Port)

Connector	Shielded RJ-45
Pin Assignments	Auto MDI/MDI-X detection
Signal Compliance	IEEE 802.3 10BASE-T, 802.3u 100BASE-TX
Data Speed	10Mbps or 100Mbps
Duplex Mode	Half-duplex or Full-duplex
Configuration	Auto-negotiation capable and optional forced manual settings
Cable Types	10Mbps - Category 3, 4, or 5 UTP 100Mbps - Category 5 UTP
Supported Link Distance	Up to 100 meters

Fiber Optic Interface (FX Port)

Signal Compliance	IEEE 802.3u 100BASE-FX
Connector	SC, ST or Single SC
Data Speed	100Mbps
Duplex Mode	Full-duplex and optional half duplex
Cable Types	Multimode (MMF) - 50/125, 62.5/125 μm Single mode (SMF) - 9/125 μm
Supported Link Distance	MMF up to 2km SMF up to 100km Single SMF WDM up to 40km
Eye Safety compliance	IEC825 Class 1

User Accessible Settings (SW)

NO.	SETTING	STATE	FUNCTION
SW1	TP Port Configuration	OFF	Auto-negotiation (default)
		ON	Forced mode
SW2	TP Port Duplex	OFF	Full duplex (default)
		ON	Half duplex
SW3	TP Port Speed	OFF	100Mbps (default)
		ON	10Mbps
SW4	Link Fault Pass Through	OFF	Disable (default)
		ON	Enable
SW5	Reserved		

Optional Settings (User inaccessible JP1-JP3 on board)

NO.	SETTING	STATE	FUNCTION
JP1	Forwarding mode	Open	Store-and-forward (default)
		Short	Smart-forward mode
JP2	802.3x function	Open	Enable (default)
		Short	Disable
JP3	FX port duplex	Open	Full duplex mode (default)
		Short	Half duplex mode


LED Indicators

LED	DISPLAY	STATE	INTERPRETATION
PWR	Power status	ON	Power on
		OFF	Power off
TP LINK	TP port link status	ON	Link up and no traffic
		OFF	Link fault
		Blink	Rx/Tx activities
TP 100M	TP port speed status	ON	100Mbps
		OFF	10Mbps
TP FDX	TP port duplex status	ON	Full duplex
		OFF	Half duplex
		Blink	Collisions on half duplex
FX LINK	FX port link status	ON	Link up and no traffic
		OFF	Link fault
		Blink	Rx/Tx activities
FX OL	FX port optical link	ON	Optical signal is detected
		OFF	No optical signal

PoE (Power over Ethernet)

Standard	IEEE 802.3af PD (Powered Device)
Power Reception	TP port RJ-45 Pin 1,2,3,6 or Pin 4,5,7,8
Input Voltage	36 ~ 57VDC via Cat.5
Power Classification	Class 1

DC Power Input

DC Input Jack	D 6.3mm  D 2.0mm
Operating Input Voltages	+7V ~ +57V
Power Consumption	2W max. (0.27A @+7.5V)
Power Supply Options	External AC-DC power adapters Input options: AC 100V/120V/230V/240V Rated output: DC7.5V 500mA min.

Basic Information

Forwarding Throughput	Full wire speed at 100M full duplex 10Mbps - 14,880 pps at 64-byte packets 100Mbps - 148,800pps at 64-byte packets
Packet Types	Transparent and no modification for

	- IEEE 802.3 standard packets
	- IEEE 802.1Q VLAN tagged packets
Packet Length	Up to 1522 bytes at store-and-forward mode No limit at smart-forward mode 100to100
Flow Control	Back-pressure for half-duplex mode 802.3x pause-frame base for full duplex mode

Mechanical

Dimension	23mm x 72.5mm x 108mm (LxWxD)
Housing	Enclosed metal with no fan
Mounting	Desktop, Wall mount, Optional - Din-Rail
Weight	210g

Environmental

Operating Temperature	-5°C ~ 50°C
Storage Temperature	-20°C ~ 80°C
Relative Humidity	5% ~ 95%

Certificate

FCC	Part 15 Class B
CE/EMC	EMI EN50081-1 Class B, EMS EN55024
CE/LVD	EN 60950

1.3 Optical Specifications

The media converter series provides the following fiber options:

Model: KC-350-X

Duplex Fiber Series

X	Port	Fiber	Wavelength	Tx Power	Rx Sensitivity	Rx Max.
T	ST	MMF	1310nm	-20 ~ -14dBm	-32dBm	-8dBm
C	SC	MMF	1310nm	-20 ~ -14dBm	-31dBm	0dBm
SL2	SC	SMF	1310nm	-15 ~ -7dBm	-32dBm	-3dBm
SL3	SC	SMF	1310nm	-15 ~ -8dBm	-34dBm	0dBm
SL4	SC	SMF	1310nm	-5 ~ 0dBm	-34dBm	-3dBm
SL6	SC	SMF	1310nm	-5 ~ 0dBm	-35dBm	0dBm
SL8	SC	SMF	1310nm	0 ~ +5dBm	-36dBm	0dBm
SL10	SC	SMF	1550nm	0 ~ -5dBm	-35dBm	0dBm
SL12	SC	SMF	1550nm	0 ~ +5dBm	-35dBm	0dBm

Single Fiber Bi-Di WDM Series

X	Port	Fiber	Wavelength	Tx Power	Rx Sensitivity	Rx Max.
W3520	SC	SMF	Tx 1310nm Rx 1550nm	-14 ~ -8dBm	-31dBm	0dBm
W5320	SC	SMF	Tx 1550nm Rx 1310nm	-14 ~ -8dBm	-31dBm	0dBm
W3540	SC	SMF	Tx 1310nm Rx 1550nm	-8 ~ 0dBm	-34dBm	0dBm
W5340	SC	SMF	Tx 1550nm Rx 1310nm	-8 ~ 0dBm	-34dBm	0dBm

Single Mode CWDM Series

X	Port	Fiber	Wavelength	Tx Power	Rx Sensitivity	Rx Max.
CxxW40	SC	SMF	Tx 1xx0nm Rx 1100-1650nm	-5 ~ 0dBm	-35dBm	0dBm
CxxW80	SC	SMF	Tx 1xx0nm Rx 1100-1650nm	0 ~ +5dBm	-37dBm	0dBm

1.4 Special Functions

1.4.1 Auto MDI/MDI-X Function

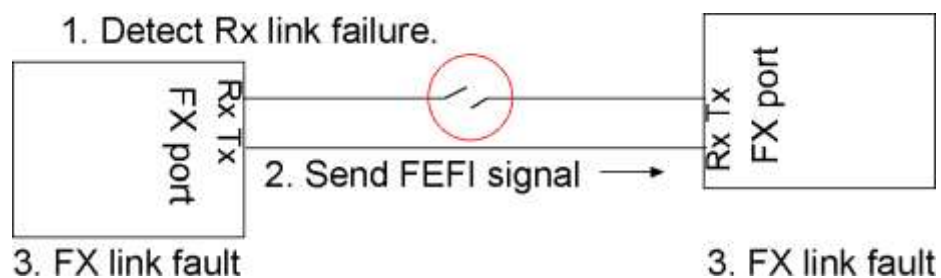
This function allows the TP port to auto-detect the twisted-pair signals and adapts itself to form a valid MDI to MDI-X connection with the remote connected device automatically.

1.4.2 Auto-negotiation Function

When TP port is set on Auto-negotiation mode (SW1: ON), it is featured with auto-negotiation function and full capability. It performs a negotiation process for the speed and duplex configuration with the connected device automatically when each time a link is being established.

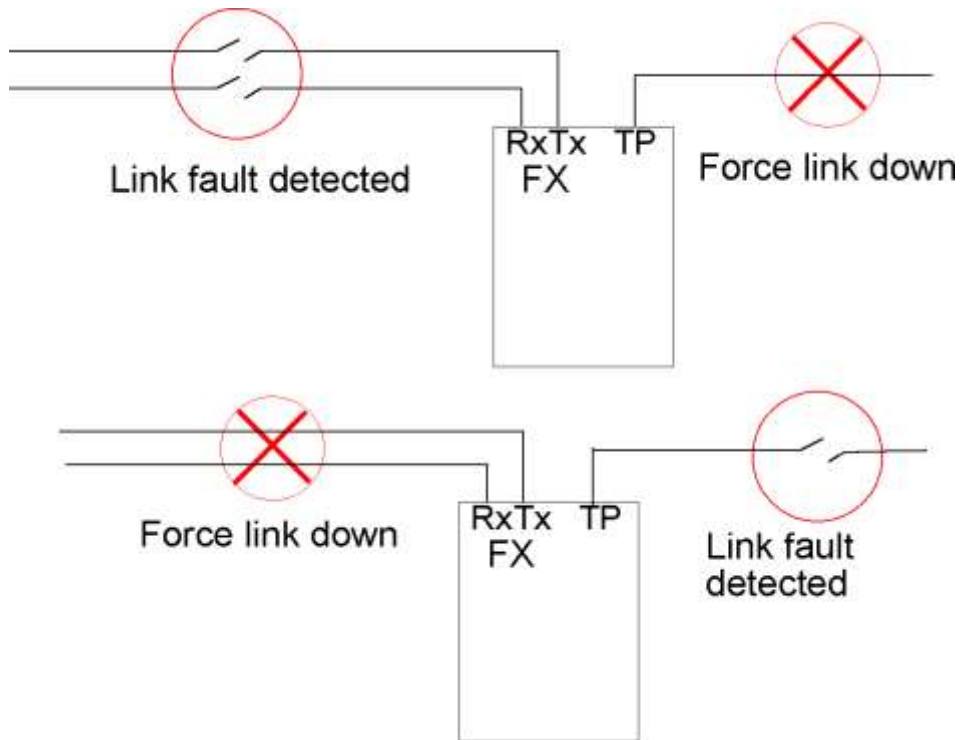
1.4.3 Far End Fault Function

The FX port is facilitated with this function, which conforms to IEEE 802.3u 100BASE-FX specifications. When the FX port detects a link failure on its receiving circuitry, it will send out an FEFI (Far End Fault Indication) signal to the remote connected device to indicate a remote fault is detected. It also is capable to receive FEFI signal sent from the remote link partner. Upon receiving an FEFI signal, it indicates a link failure occurred on the transmitting path. This function allows the converter to report a fiber link fault even when a link failure occurred on transmitting fiber cable.



1.4.4 Link Fault Pass Through Function

When this function is enabled, a link fault detected on the TP port will force a link down on the FX port. Similarly, a link fault detected on the FX port will also force a link down on the TP port. As illustrated in the following figure, this function allows passing TP link fault to the remote link partner and makes the converter like a TP cable extender.



2. Installation

2.1 Unpacking

Check that the following components have been included:

- Installation guide (or contained in the product CD)
- The 10/100 Media Converter

If any item is found missing or damaged, please contact your local reseller for replacement.

2.2 Safety Cautions

To reduce the risk of bodily injury, electrical shock, fires, and damage to the product, observe the following precautions.

- Do not service any product except as explained in your system documentation.
- Opening or removing covers may expose you to electrical shock.
- Only a trained service technician should service components inside these compartments.
- If any of the following conditions occur, unplug the product from the electrical outlet and replace the part or contact your trained service provider:
 - The power cable, extension cable, or plug is damaged.
 - An object has fallen into the product.
 - The product has been exposed to water.
 - The product has been dropped or damaged.
 - The product does not operate correctly when you follow the operating instructions.
- Do not push any objects into the openings of your system. Doing so can cause fire or electric shock by shorting out interior components.
- Operate the product only from the type of external power source indicated on the electrical ratings label. If you are not sure of the type of power source required, consult your service provider or local power company.

2.3 Mounting the Device

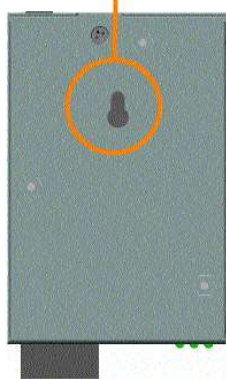
Desktop Mounting

The media converter can be mounted on a desktop or shelf. Make sure that there is proper heat dissipation from and adequate ventilation around the device. Do not place heavy objects on the device.

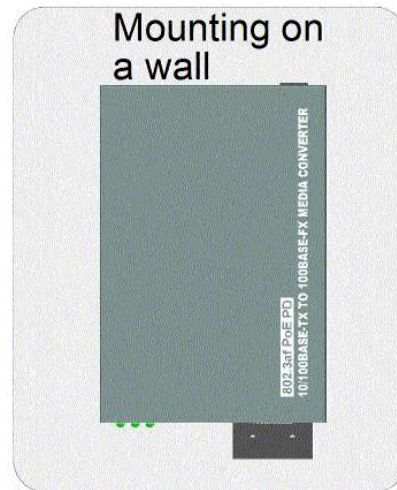
Wall Mounting

The media converter also can be mounted on a wall. On bottom of the device, wall mounting hole is provided for wall mounting.

Mounting hole on bottom case



Mounting on a wall



Din-rail Mounting

For a Din-Rail chassis, the media converter can support mounting on a Din-Rail. An optional Din-Rail bracket, KC-3DR can be purchased separately. Consult your dealer for details. The following figures show an example after bracket installation:



Din-Rail mounting bracket

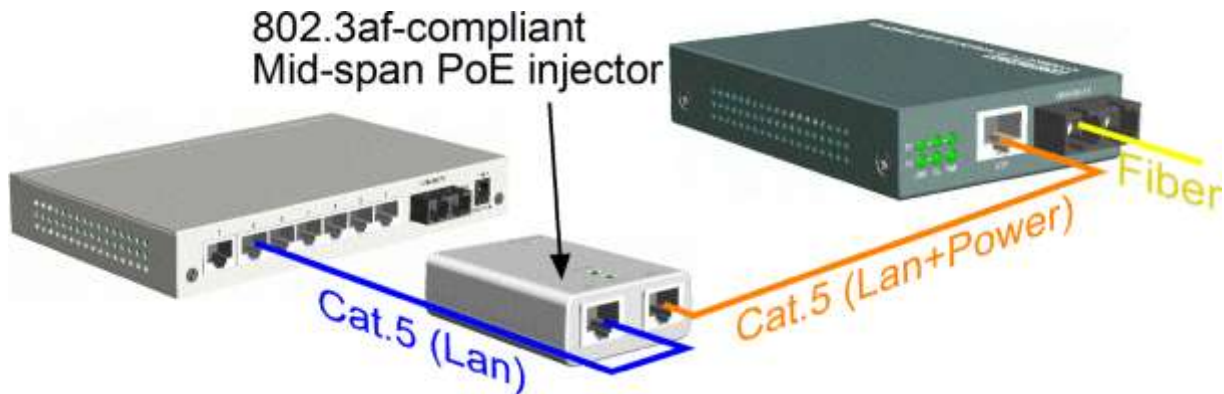


Din-Rail installation

2.4 Powered by PoE over Cat.5

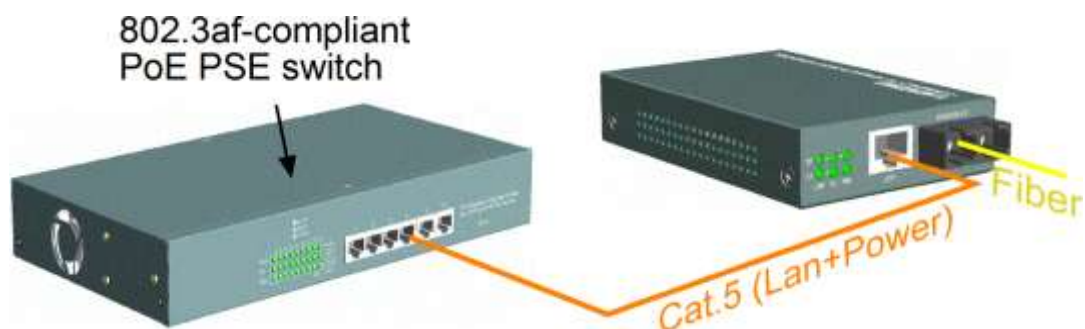
Power supply by a Mid-Span PoE Injector

The following figure illustrates the converter is powered by the PoE delivered from a remote mid-span PoE injector over Cat.5.



Power supply by a PoE PSE Switched Port

The following figure illustrates the converter is powered by the PoE delivered from a remote PoE PSE switch over Cat.5.



Note:

1. The Cat.5 used can be the standard Cat.5 cable for Ethernet connection.
2. Check the power LED on the converter to see whether the power is received on the Cat.5.
3. For the compatibility, the remote PoE PSE used must be IEEE 802.3af compliant.

2.5 Powered by External Power Adapter

The converter can support being powered by an external power adapter as an alternative when PoE power is not available on Cat.5. Before you begin the installation, check the AC voltage of your area. The AC power adapter, which is used to supply the DC power for the unit should have the AC voltage matching the commercial power voltage in your area.

The AC Power Adapter Specifications



AC input power: AC power voltage of your area,
Rated input options -
AC120V/60Hz, AC230V/50Hz,
AC100V/50-60Hz, Rated AC240V/50Hz
Rated output - DC7.5V 500mA min.

The steps to apply the power to the converters are:

1. Connect power adapter DC plug to the DC input jack located on the back of the converter before connecting to the AC outlet.
2. To ensure against accidental disconnection, tie the DC cable with the cable tie located the back of the converter.
3. Connect the power adapter to the AC outlet.
4. Check Power LED indication.

2.6 Making TP Port Connection

TP port is featured to support connection to:

- Auto-negotiation devices
- Auto-negotiation incapable 10BASE-T devices
- Auto-negotiation incapable 100BASE-TX devices

Network Cables

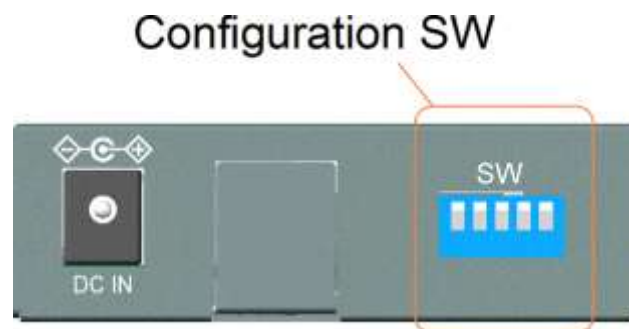
10BASE-T: 4-pair UTP Cat. 3,4,5, EIA/TIA- 568 100-ohm STP

100BASE-TX: 4-pair UTP Cat. 5, EIA/TIA-568 100-ohm STP

Link distance: Up to 100 meters

Configuration Setup

To make a proper connection, the following configuration settings are recommended:



TP port link partner	SW1	SW2	SW3
Auto-negotiation device	Off: auto	Off: full duplex	Off: 100M
Fixed 10M half duplex device	On: forced	On: half duplex	On: 10M
Fixed 100M half duplex device	On: forced	On: half duplex	Off: 100M
Fixed 10M full duplex device	On: forced	Off: full duplex	On: 10M
Fixed 100M full duplex device	On: forced	Off: full duplex	Off: 100M

2.7 Making FX Port Connection

FX port operates on 100Mbps and full duplex (factory default). A variety of fiber options is provided as follows:

Model: KC-350-X

Duplex Fiber Series

X	Connector	Wavelength	Fiber	Ref. distance
T	ST	1310nm	Duplex MMF	2km
C	SC	1310nm	Duplex MMF	2km
SL2	SC	1310nm	Duplex SMF	20km
SL3	SC	1310nm	Duplex SMF	30km
SL4	SC	1310nm	Duplex SMF	40km
SL6	SC	1310nm	Duplex SMF	60km
SL8	SC	1310nm	Duplex SMF	80km
SL10	SC	1550nm	Duplex SMF	100km
SL12	SC	1550nm	Duplex SMF	120km

Duplex Fiber CWDM Series

X	Connector	Wavelength	Fiber	Ref. Distance
CxxW40	SC	Tx 1xx0nm Rx 1100 - 1650nm	SMF	40km
CxxW80	SC	TX 1xx0nm RX 1100 - 1650nm	SMF	80km

Tx 1xx0nm: 1470, 1490, 1510, 1530, 1550, 1570, 1590, 1610nm

Single Fiber Bi-Di WDM Series

<u>X</u>	<u>Connector</u>	<u>Wavelength</u>	<u>Fiber</u>	<u>Ref. Distance</u>
W3520	Bi-Di SC	Tx 1310nm Rx 1550nm	Single SMF	20km
W5320	Bi-Di SC	Tx 1550nm Rx 1310nm	Single SMF	20km
W3540	Bi-Di SC	Tx 1310nm Rx 1550nm	Single SMF	40km
W5340	Bi-Di SC	Tx 1550nm Rx 1310nm	Single SMF	40km

Since the WDM single fiber media converters use different wavelengths for transmission and receiving respectively, the link partner device located on the remote end of the single fiber should match the wavelength used on the single fiber converter.

2.8 LED Indicators

Link Fault Pass Through Function is disabled

<u>LED</u>	<u>Display</u>	<u>Status</u>	<u>Interpretation</u>
PWR	Power status	On	Power on
		Off	Power off
TP LINK	TP port link status	On	Link up and no traffic
		Off	Link fault
		Blink	Rx/Tx activities
TP 100M	TP port speed status	On	100Mbps
		Off	10Mbps
TP FDX	TP port duplex status	On	Full duplex
		Off	Half duplex
		Blink	Collisions on half duplex
FX LINK	FX port link status	On	Link up and no traffic
		Off	Link fault
		Blink	Rx/Tx activities
FX OL	FX port optical link	On	Optical signal is detected
		Off	No optical signal is detected

Link Fault Pass Through Function is enabled

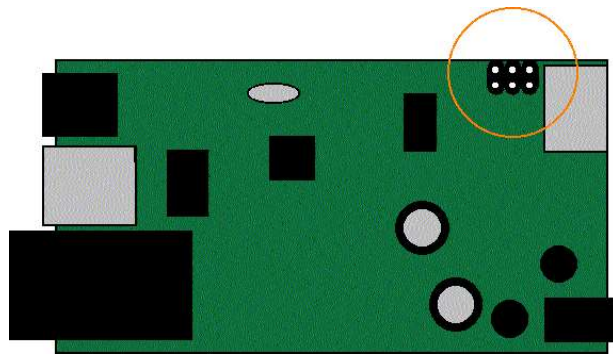
<u>TP LINK</u>	<u>FX LINK</u>	<u>FX OL</u>	<u>Interpretation</u>
On	On	On	Both TP and FX ports link up
Off	Off	On	(1) TP port link fault or (2) FX port received FEFI signal (FX port Tx path failed.)
Off	Off	Off	(1) TP port link fault or (2) FX port Rx link failure detected

3. Optional Configuration Settings

The media converter provides additional configuration settings which are user-inaccessible. The settings are built on the board inside the product case. The settings are provided for technical installers to adapt the converter to fit some specific application needs.

3.1 User Inaccessible Jumpers

The setting jumpers are not accessible by users generally. For accessing these jumpers, the upper case must be removed from the product. Removing case must perform by an authorized and experienced technical person. The setting jumper block is located on the position shown below:



The setting functions are as follows:

JP1	Forwarding mode setting	Open	- Store-and-forward mode
		Short	- Smart-forward mode
JP2	802.3x function setting	Open	- Enable
		Short	- Disable
JP3	FX port duplex setting	Open	- Full duplex mode
		Short	- Half duplex mode

3.1.1 Forwarding Mode Setting JP1

The following table lists the forward method used in different TP to FX conversions:

<u>JP1 Setting</u>	<u>TP port to/from FX port</u>	<u>Forward method</u>
Store-and-forward	10BASE-T to 100BASE-FX	Store and forward
	100BASE-TX to 100BASE-FX	Store and forward
Smart-forward	10BASE-T to 100BASE-FX	Store and forward
	100BASE-TX to 100BASE-FX	Direct conversion

On smart-forward mode, the converter can change to direct conversion automatically when it detects same speed on both TP port and FX port. Direct conversion method converts the signal between TP port and FX port without storing the received packet on one port then forwarding to another port. The media converter operates with the minimum latency.

Note:

1. In direct conversion, be sure both devices connected to the TP port and FX port have same duplex mode for proper transmission.
2. In direct conversion, the 802.3x function is disabled and the media converter will not generate pause frame, but just forwards the received pause frame directly from one port to another port.
3. In direct conversion, the media converter is not limited to the maximal length of the receiving packets.

3.1.2 802.3x Function Setting JP2

IEEE 802.3x function is the flow control method used for full duplex operation on TP port and FX port under store and forward mode. This method uses pause frames for one port to stop further transmission from its link partner.

3.1.3 FX Duplex Setting JP3

This setting is used to set the duplex mode of the FX port.

3.2 JP1-JP3 Factory Default Settings

The factory default settings for JP1, JP2, and JP3 are as follows:

JP1	Open Store-and-forward mode
JP2	Open 802.3x function is enabled
JP3	Open FX port full duplex