



KPOE-200



Industrial High Power Single-Port PoE++ Mid-span Injector

Product Highlights:

- Industrial-rated design
- Output power up to 90W
- External power supply support with terminal block, power jack, power DIN connectors.

Power over Ethernet provides a way for Ethernet network devices to be powered by UTP cables, including Cat.5, 5e, and 6 rather than by separate power cords. KPOE-200 is a mid-span injector that can deliver output power supporting proprietary PoE++ 90W Type 4 PDs, 802.3at Type 2 high-power PDs, and 802.3af Type 1 PDs. The injector supports both Fast Ethernet connection and Gigabit Ethernet connection.

For no damage to the connected device, it is enhanced with smart design to discover compliant PD. It shuts down the power immediately when incompliance is discovered. For safety, other protections for conditions such as disconnection, overload, over-current, and short circuit are also provided to secure your network installation.

It is an ideal mid-span that supplies reliable, uninterrupted power up to 90W to IP phones, 802.11 access points, pan-tilt-zoom cameras, and other Ethernet devices using existing LAN cable infrastructure.

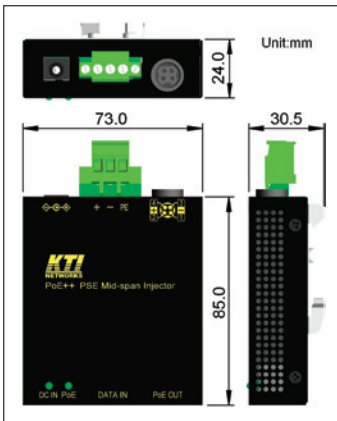
Key Features:

- Supports both Fast Ethernet and Gigabit Ethernet
- Backward compatible with 802.3af and 802.3at-compliant PDs
- Delivers power output to support 90W PD
- Type 1 ~ Type 4 compliant PD discovery & classification
- Power shutdown protection for incompliant PD
- Power shutdown protection for disconnection
- Power shutdown protection for overload, over-current, and short circuit
- Multiple built-in power connectors to support a variety of external power supply
- Plug and play with no configuration required
- Supports DIN-rail and panel mounting

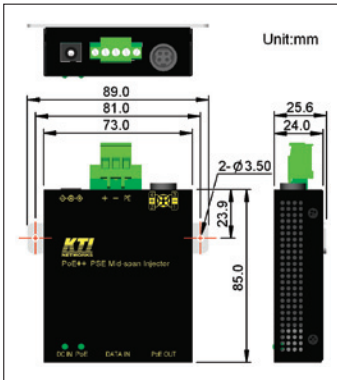
Specifications:

IN JACK	Shielded RJ-45 10Base-T, 100Base-TX, 1000Base-T compliant Cat.5, 5e, 6 support
OUT JACK	Shielded RJ-45 PSE output 10Base-T, 100Base-TX, 1000Base-T compliant 4-pair Cat.5e, 6 support (Not bundled) Distance mid-span up to 100meters
PoE PSE	IEEE 802.3af, 802.3at, and proprietary PoE++ standard PSE pin 1/2/4/5 -Positive DC, Pin 3/6/7/8 -Negative DC Power delivery 132W max. at port output (Depending on DC IN voltage)
Protection	Incompliant PD detection, Disconnection Overload, Over-current Short-circuit, Under voltage
LED Indicators	DC Power status, PoE power status

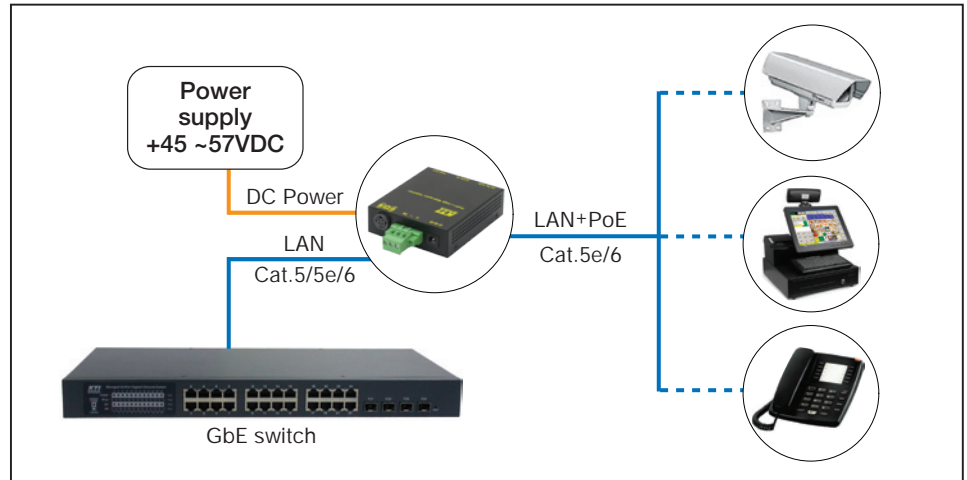
DIN-Rail Dimension



Panel Dimension



DC IN Connectors	Flange terminal block Power jack (Contacts: -D6.3mm, +D2.0mm) Female power DIN (4 contacts)
Working Voltage	+55 ~ +57VDC for 45W+ high-power connection +51 ~ +57VDC for 30W+ high-power connection +45 ~ +57VDC for general connection
Dimension	73 x 24 x 85 mm (Case WxDxH)
Weight	180g
Housing	Enclosed metal with no fan
Mounting Support	DIN-rail mounting, panel mounting
Environment	Operating Temperature: -30°C ~ 70°C (Main device) Storage Temperature: -40°C ~ 85°C Relative Humidity: 5% ~ 95% non-condensing
Approval	FCC Class A, CE mark Class A, VCCI Class A, IEC 60950-1 safet



Reference:

PSE Output vs. PD Input

PD Type	Class	DC IN min.	PSE OUT	PD IN min.**2
1	0	45V	15.4W	12.95W
1	1	45V	4W	3.84W
1	2	45V	7W	6.49W
1	3	45V	15.4W	12.95W
2	4	51V	32W	25.5W
3*1	5	55V	50W	38.7W
3*1	6	55V	74W	52.7W
4*1	7	55V	90W	70W
4*1	8	55V	128W	90W

*1: PD Types & associated classes are proprietary PoE++ std.
*2: The power received at PD in worst case



Katron Technologies Inc.
15F-7, No. 79, Sec. 1, Hsin Tai Wu Rd.,
Hsi-chih District, New Taipei City, Taiwan
Tel: 886-2-2698-3878
Fax: 886-2-2698-3873
E-mail: kti@ktinet.com.tw
URL: http://www.ktinet.com.tw

Trademarks: All brand names are trademarks or registered trademarks of their respective holders.
This information is subject to change without prior notice.