



KPW-RDP-7A/18A



Industrial-rated Redundant DC Power Input Adapters

KPW-RDP-7A:

Support current of DC power up to 7Amp

KPW-RDP-18A:

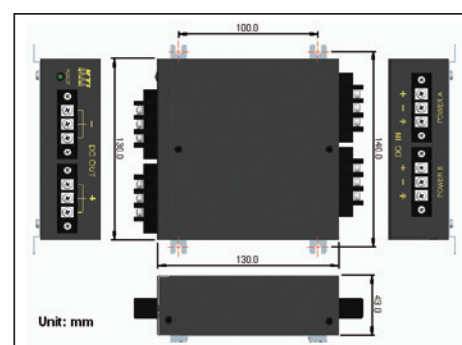
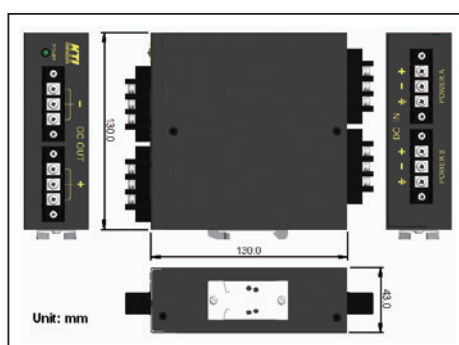
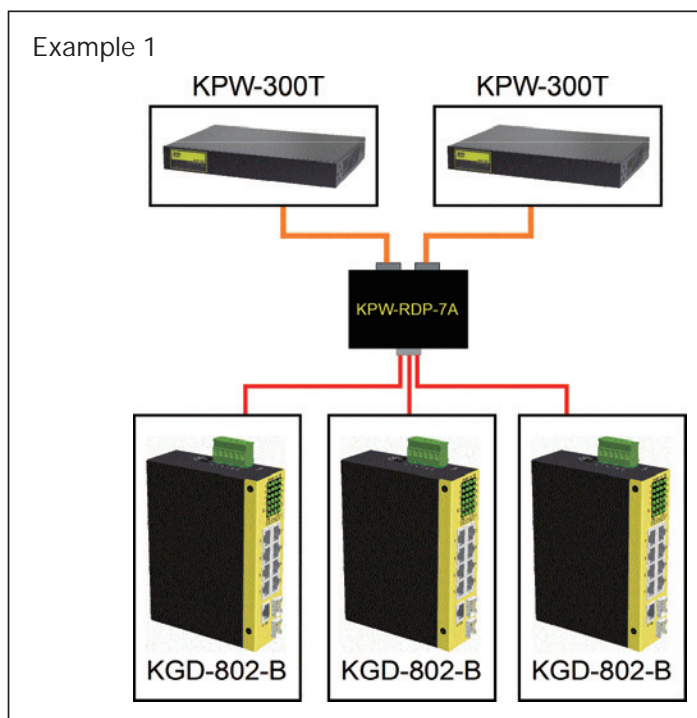
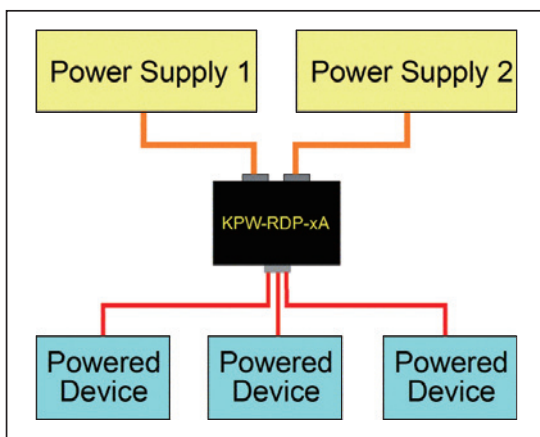
Support current of DC power up to 18Amp

Specifications:

DC IN Power A	Voltage range	+12VDC ~ +62VDC
	Current rating	KPW-RDP-7A: 7Amp max. KPW-RDP-18A: 18Amp max.
	Contacts	V_{inA+} / V_{inA-}
DC IN Power B	Voltage range	+12VDC ~ +62VDC
	Current rating	KPW-RDP-7A: 7Amp max. KPW-RDP-18A: 18Amp max.
	Contacts	V_{inB+} / V_{inB-}
DC OUT	Voltage range	+12VDC ~ +62VDC
	Current rating	KPW-RDP-7A: 7Amp max. KPW-RDP-18A: 18Amp max.
	V_{out+}	3 Contacts
	V_{out-}	3 Contacts
LED Indication	DC OUT Power status	
PE Contact	Frame ground	
Protection	Over-current	KPW-RDP-7A: 10Amp max.
		KPW-RDP-18A: 25Amp max.
Isolation	Frame ground vs. DC IN lines: 10M Ω /DC500V, Frame ground vs. DC OUT lines: 10M Ω /DC500V,	
Mounting Support	DIN-Rail mount bracket, Panel mount bracket(Optional)	
Dimension	130mm x 130mm x 43mm (WxDxH)	
Environment	Operating temperature:	-30°C ~ 70°C
	Storage temperature:	-40°C ~ 85°C
	Humidity:	5%~95% non-condensing
Compliance	FCC Class A, CE mark EMC Class A	
Test	Vibration IEC 60068-2-6	



Applications:



Katron Technologies Inc.
15F-7, No. 79, Sec. 1, Hsin Tai Wu Rd.,
Hsi-chih District, New Taipei City, Taiwan
Tel: 886-2-2698-3878
Fax: 886-2-2698-3873
E-mail: kti@ktinet.com.tw
URL: <http://www.ktinet.com.tw>

Trademarks: All brand names are trademarks or registered trademarks of their respective holders.
This information is subject to change without prior notice.

DIN-Rail Dimension

Panel Dimension